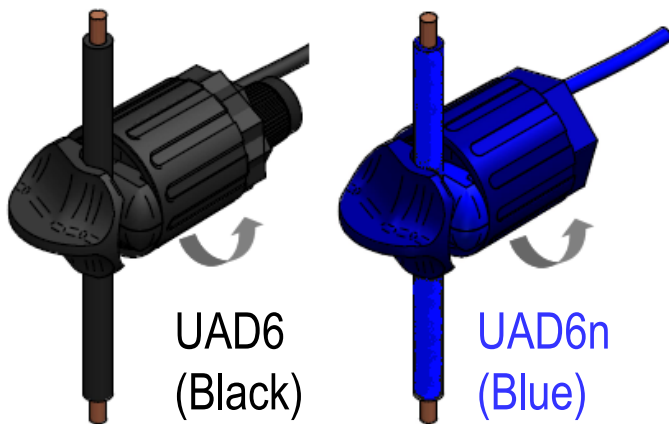


# Easy Voltage Tap for wire, model UAD6(n)

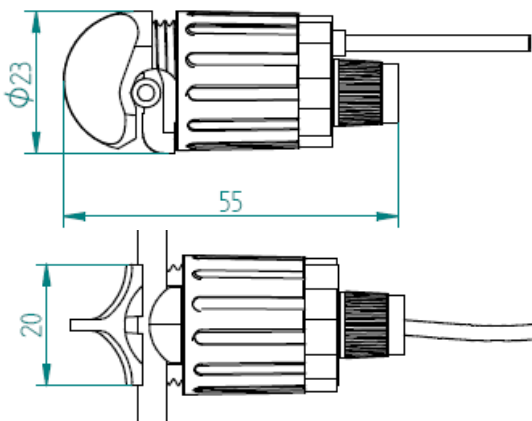
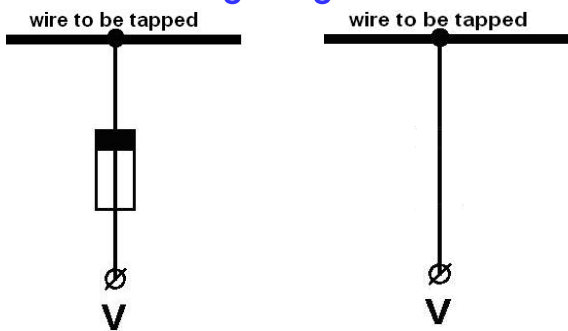
In existing installations there is rarely a fused terminal available for measurement purposes. This unique tapping clamp allows you to tap a fused voltage from an insulated wire for measurement using one hand and without the need for additional tools. The fuse is mounted directly on the primary conductor, which results in an optimum degree of safety. This unique product is a breakthrough for fast and safe measurement in existing installations. The UAD6 is obtainable in a fused and non fused version.

## Properties

- One-handed and safe tapping of voltage for measurement purposes
- No tools needed
- Safe mounting
- Including 5x25mm, 2A fuse
- For insulated 2.5-6 mm<sup>2</sup> conductors, stranded, solid (rigid) and flexible wire



## Wiring diagram



## Technical specifications

### Safety conditions

CE Directive: Low voltage directive 2006/95/EC  
Standard: IEC 60998 (clamp), IEC 60947(fuse)

### Environmental conditions

Standard: IEC 60721-3-3:1996  
Class: 3K3  
Operating temp.: +5°C - +55°C  
Relative humidity: 5% - 85%, non condensing  
Operating height: 0..2000m over NN  
Protection degree: IP20, basic insulation  
Pollution degree: 2  
Measurement category: CAT III

### Application conditions

Only suitable for:  
Conductors with basic insulation (wire)  
Insulation material: PVC or XLPE  
Wire diameter: 3 - 5mm (2,5 - 6mm<sup>2</sup>)  
UAD6(n)-R: Rigid wire (Solid, Stranded)  
UAD6(n)-F: Flexible wire  
U<sub>max</sub>: 400Vac  
Test voltage: 3kV / 50Hz  
Impulse voltage: 6kV 1,2 / 50µs  
I<sub>max</sub>: 2A  
Voltage drop: <500mVac  
Fuse (UAD6-R/F): 2A, 450V, F, 70kA, 5x25mm, ceramic (SIBA Part.no. 7008913.2)  
Sec. lead: 1mm<sup>2</sup> flexible, 50cm, end-sleeve  
Usability: Multiple use, max. 24 times.  
Torque: 1.5 - 2.0Nm

### Storage

Temperature: -20°C - +70°C  
Relative humidity: 5% - 85%, non condensing  
Weight: 28 gram  
Dimensions: diameter 23mm, height 59mm  
Material: PA 6.6, UL94 V2



Art. nr.	Cable dimensions
500072R	UAD6-R, fused, for 2.5-6mm <sup>2</sup> rigid (solid, stranded) wire
500073R	UAD6n-R, not fused for 2.5-6mm <sup>2</sup> rigid (solid, stranded) wire
500072F	UAD6-F, fused for 2.5-6mm <sup>2</sup> flexible wire
500073F	UAD6n-F, not fused for 2.5-6mm <sup>2</sup> flexible wire
500074R	UAD6 set, 3xUAD6-R + 1xUAD6n-R
500074F	UAD6 set, 3xUAD6-F + 1xUAD6n-F

