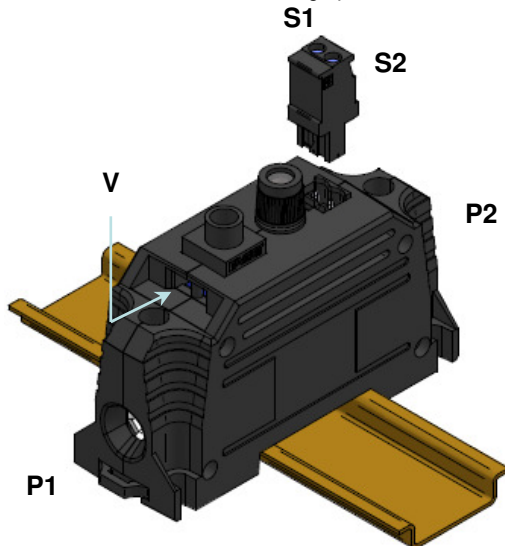


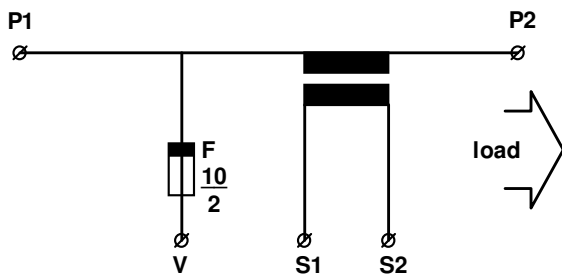
ELEQ Power Sensor VCT32

To measure power, voltage and current values are required from each phase. In common cases there is often less space for measurement transformers and voltage terminals. The new ELEQ Power Sensor type VCT32 solves this problem by combining three functionalities in one product. This is the busbar terminal, the current transformer and the voltage terminal as well.

The fuse is directly mounted on the primary conductor. As result of the short unprotected part of the terminal the reliability is much higher. The ELEQ Power Sensor makes it very easy to wire the terminal because of less connections. This reduces mounting costs. Because of reduction of the number of connections the terminal is more reliable than standard terminals. It also decreases mounting space.



Wiring diagram

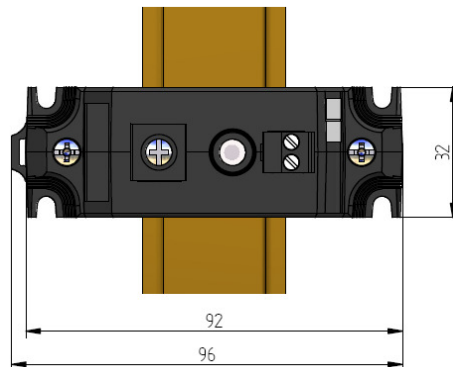
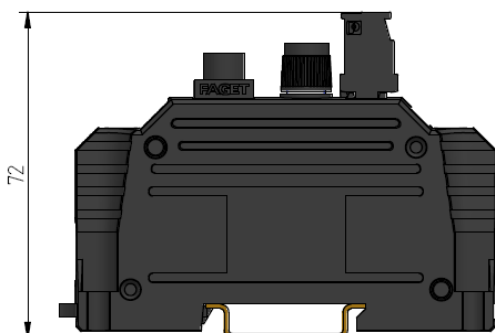


Purchase information

Description	Class	Burden ¹⁾	Partnumber
16/1	3	0,1VA	5VCT01
35/1	1	0,2VA	5VCT02
64/1	0.5	0,2VA	5VCT03

¹⁾Ext. cable losses = 0,014VA/m (2,5mm²)

Dimensions



Technical specifications

General	
Maximum voltage	690V, Uimp 6kV
Insulation voltage	1890V/50Hz 1min.
Rated current	64A
Max. current (AWG 6)	67A
Max. current (16mm ²)	76A
Insulation class	E (max120°)
Protection degree	IP20
Ambient temperature	-5...+40°C
Case	PA 30% glass filled
Suitable for marking	PHOENIX ZBF5
Screw terminal	Philips head DIN 7962-H2
Approval	KEMAKEUR
Terminal	
Standard	IEC60947-7-1
Wire gauge	16mm ² (range 1,5 - 16mm ² , AWG 16 - 6)
Solid / stranded	
Voltage terminal	
Standard	IEC60947-7-3
Fuse type	5x25mm (with indicator) Max. 2A SIBA DIN41576-2
Short circuit capability	70kA@400V/50Hz
Wire gauge	4mm ² (range 1,5 - 4mm ²)
Current transformer	
Standard	IEC60044-1
Frequency	50Hz
Ith	60xIn
Insulation voltage	3kV/50Hz 1min.

